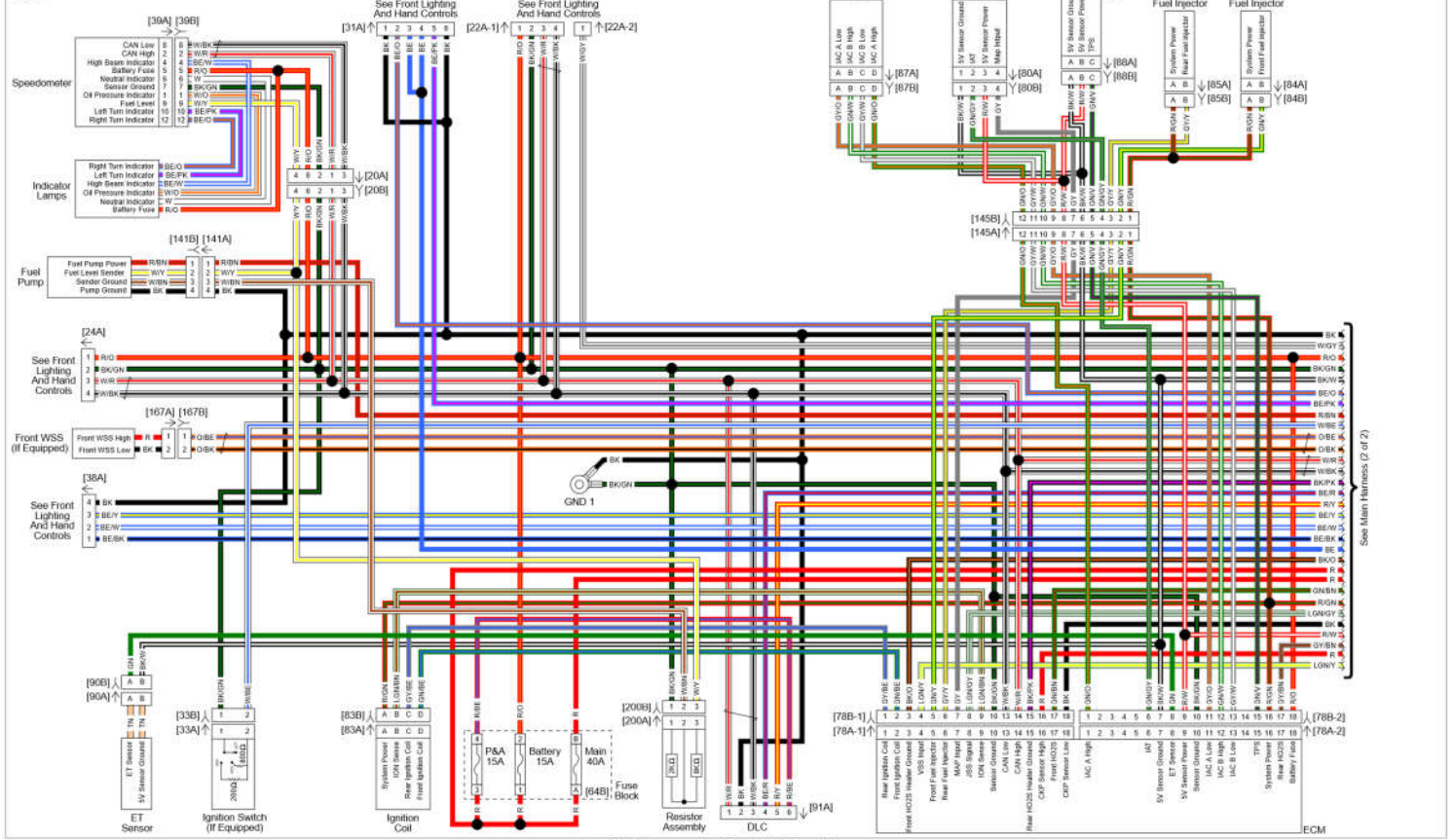
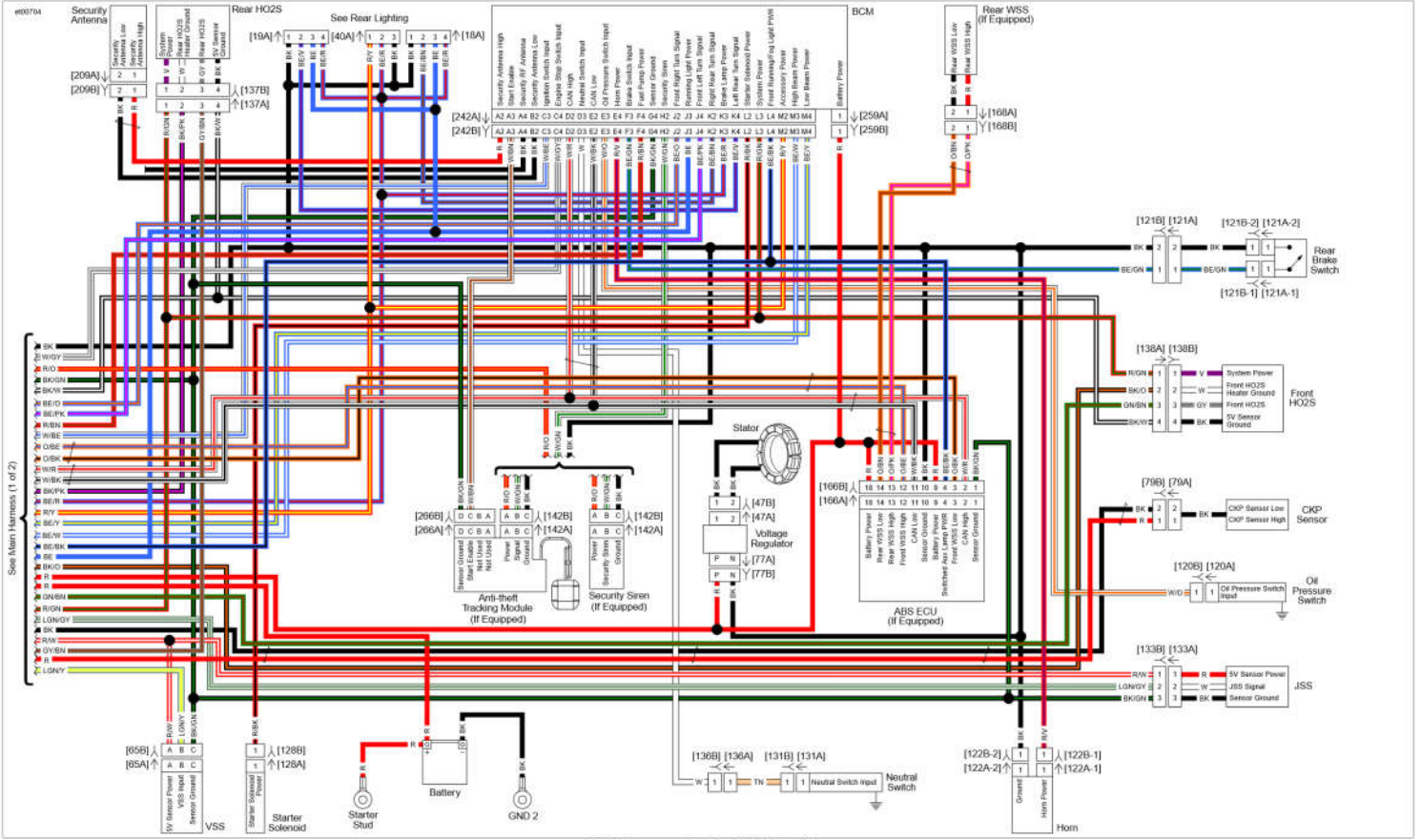


Front Lighting and Hand Controls: 2015 Sportster

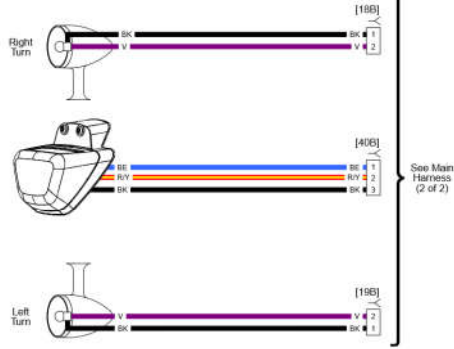


Main Harness 1 of 2: 2015 Sportster

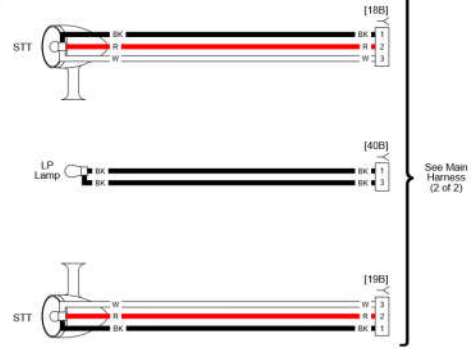


Main Harness 2 of 2: 2015 Sportster

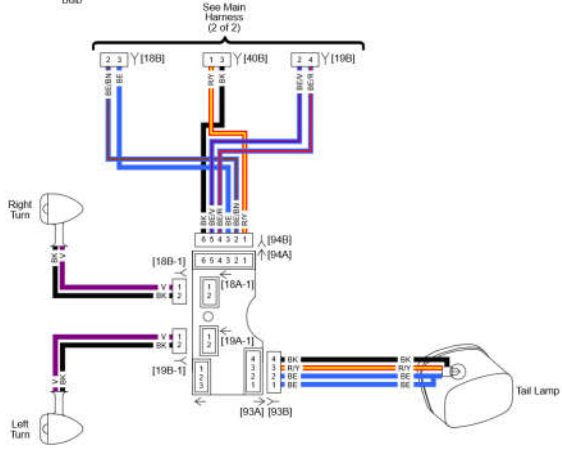
Single Stop Lamp LED



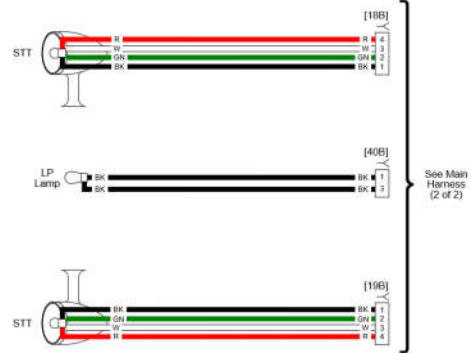
Dual Stop Lamp Bulb w/LED/LP Lamp



Single Stop Lamp Bulb



Dual Stop Lamp LED



Rear Lighting: 2015 Sportster